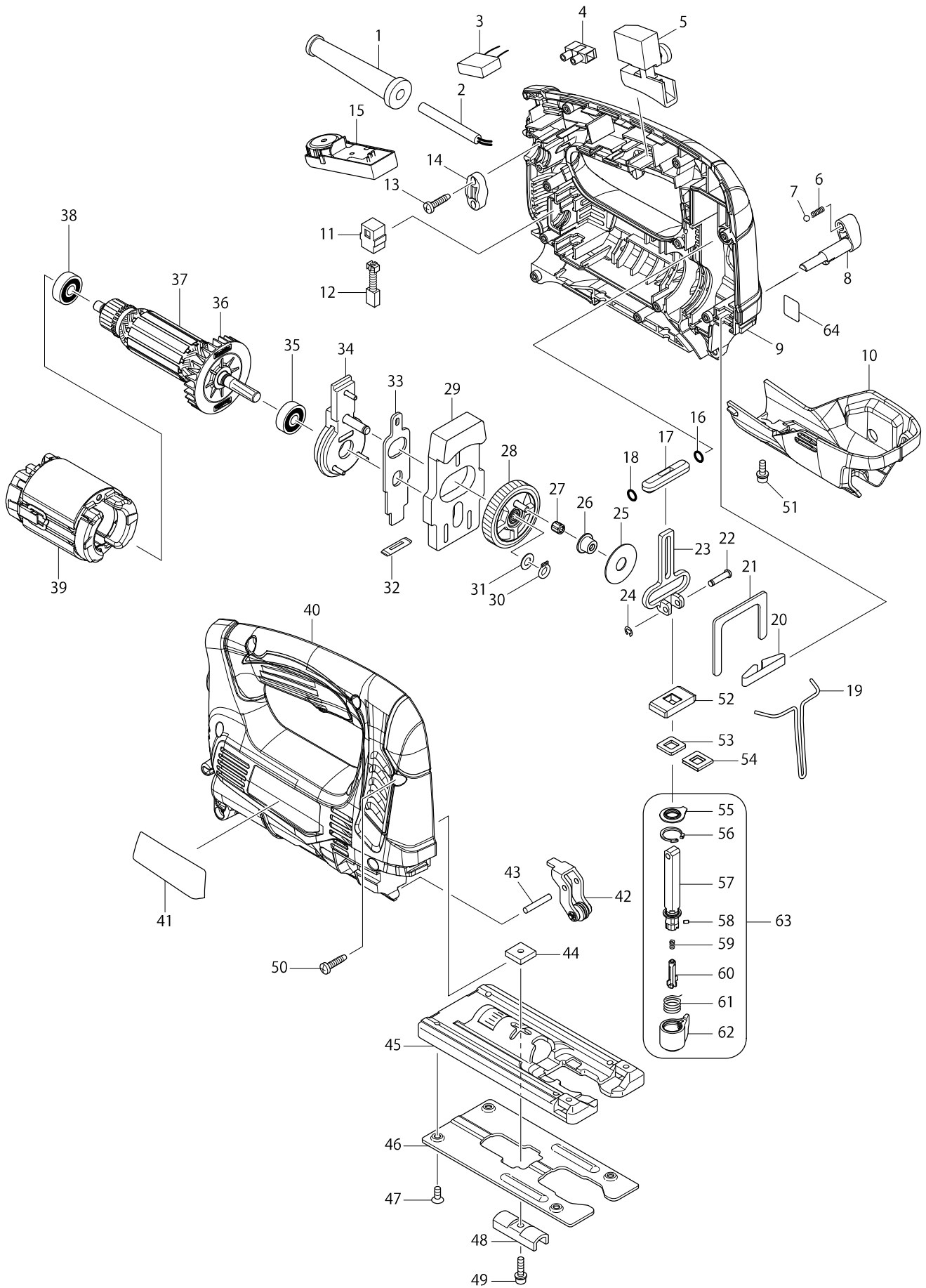


# Model No. JV0600 JIG SAW



# Model No. JV0600 JIG SAW

Item	Parts No.	Description	I/C	QTY	N/O	Opt. 1	Opt. 2	NOTE
001	682516-3	CORD GUARD 9.3-85		1		100		
002A	665918-8	POWER SUPPLY CORD 1.0-2-2.5		1		100		
002B	692527-0	POWER SUPPLY CORD 1.0-2-2.5		1		100		
002C	665918-8	POWER SUPPLY CORD 1.0-2-2.5		1		100		
002D	692527-0	POWER SUPPLY CORD 1.0-2-2.5		1		100		
003	645149-5	NOISE SUPPRESSOR		1		100		
004	654532-5	TERMINAL BLOCK 1P		1		100		
005	650202-4	SWITCH SGEL115CDY-8		1		100		
006	233151-6	COMPRESSION SPRING 4		1		100		
007	216008-6	STEEL BALL 4		1		100		
008	272269-8	LEVER 18		1		100		
009	187163-0	HOUSING SET		1		100		
C10	263002-9	RUBBER PIN 4		2		100		
D10		INC. 40						
010	318751-4	HOUSING COVER		1		100		
011	643552-4	BRUSH HOLDER 5-8		2		100		
012	191627-8	CARBON BRUSH CB-64		1		100		
013	265995-6	TAPPING SCREW 4X18		2		100		
014	687052-4	STRAIN RELIEF		1	*	100		
014-1	687124-5	STRAIN RELIEF	O	1		100		
015A	620045-8	CONTROLLER		1		100		
015B	620046-6	CONTROLLER		1		100		
015C	620045-8	CONTROLLER		1		100		
015D	620046-6	CONTROLLER		1		100		
016	213038-8	O RING 5		1		100		
017	313082-6	SLIDER GUIDE		1		100		
018	213038-8	O RING 5		1		100		
019	326092-4	SAFETY WIRE		1		100		
020	232183-0	LEAF SPRING		1		100		
021	346473-6	SLIDER GUIDE PLATE		1		100		
022	268090-1	PIN 4		1		100		
023	310484-7	SLIDER		1		100		
024	961017-7	STOP RING E-3		1		100		
025	253180-3	FLAT WASHER 10		1		100		
026	257804-3	SHOULDER SLEEVE 7		1		100		
027	212965-6	NEEDLE CAGE 407		1		100		
028	141026-4	GEAR COMPLETE		1		100		
029	313216-1	BALANCE PLATE		1		100		
030	961002-0	RETAINING RING S-6		1		100		
031	253715-0	FLAT WASHER 6		1		100		
032	416703-0	DUST SEAL		1		100		
033	346471-0	PUSH PLATE		1		100		
034	141029-8	BEARING CASE COMPLETE		1	*	100		
034-1	144820-3	BEARING CASE COMPLETE	O	1				
035	210005-4	BALL BEARING 608DDW		1		100		
036	240115-3	FAN 55		1		100		
D10		INC. 35,36,38						
037A	518863-5	ARMATURE ASS'Y 115V		1		151		

Item	Parts No.	Description	I/C	QTY	N/O	Opt. 1	Opt. 2	NOTE
037B	515854-7	ARMATURE ASS'Y 240V		1		151		
037C	518863-5	ARMATURE ASS'Y 115V		1		151		
037D	515854-7	ARMATURE ASS'Y 240V		1		151		
038	210023-2	BALL BEARING 627DDW		1		100		
039A	633786-7	FIELD 115V		1		152		
039B	633789-1	FIELD 240V		1		152		
039C	633786-7	FIELD 115V		1		152		
039D	633789-1	FIELD 240V		1		152		
040	187163-0	HOUSING SET		1		100		
C10	263002-9	RUBBER PIN 4		2		100		
D10		INC. 9						
041	869972-6	JV0600 NAME PLATE		1		100		
042	141028-0	RETAINER COMPLETE		1		100		
043	256206-0	PIN 4		1		100		
044	343540-8	HOLDER		2		100		
045	317796-9	BASE		1		100		
046	345441-6	BASE PLATE		1		100		
047	912107-9	COUNTERSUNK HEAD SCREW M4X8		4		100		
048	344685-5	CLAMP PLATE		1	*	100		
048-1	344685-5	CLAMP PLATE	O	1		100		
049	922138-0	H.S.H.BOLT M4X20 WITH WR		1		100		
050	265995-6	TAPPING SCREW 4X18		10		100		
051	922118-6	HEX. SOCKET HEAD BOLT M4X12		1		100		
052	313215-3	SLIDER SUPPORT		1		100		
053	424436-3	POLYURETHANE SPONGE SEAL		1		100		
054	346470-2	SEAL PLATE		1		100		
055	424437-1	DUST COVER		1		100		
056	962063-3	RETAINING RING R-13		1		100		
057	165654-1	ROD		1				
058	256528-8	PIN 2		1		100		
059	233314-4	COMPRESSION SPRING 4		1		100		
060	310485-5	LOCK PIN		1		100		
061	233591-8	TORSION SPRING 10		1		100		
062	452850-3	INSERT HOLDER		1		100		
063	135482-8	ROD ASS'Y		1				
D10		INC. 55-62						
A01	A-85628	JIGSAW BLADE NO.B10		1				
A02	783201-2	HEX. WRENCH 3		1				
A03A	824998-5	PLASTIC CARRYING CASE		1				
C10	162315-4	LATCH		2		100		
C20	452137-3	HANDLE		1		100		
A03B	824998-5	PLASTIC CARRYING CASE		1				
C10	162315-4	LATCH		2		100		
C20	452137-3	HANDLE		1		100		
A03C	821549-5	CONNECTOR PLASTIC CASE (TYPE1)		1				
C10	453974-8	LATCH		4		100		
A03D	821549-5	CONNECTOR PLASTIC CASE (TYPE1)		1				
C10	453974-8	LATCH		4		100		

# Model No. JV0600 JIG SAW

Item	Parts No.	Description	I/C	QTY	N/O	Opt. 1	Opt. 2	NOTE
A04C	837803-7	INNER TRAY		1				
A04D	837803-7	INNER TRAY		1				
A05C	800X48-4	JV0600J INDICATION LABEL		1	*			
A05D	800X48-4	JV0600J INDICATION LABEL		1	*			
A05-1C	810C36-7	JV0600J INDICATION LABEL	O	1				
A05-1D	810C36-7	JV0600J INDICATION LABEL	O	1				
A06A	810C31-7	JV0600K PLASTIC CASE LABEL		2				
A06B	810C31-7	JV0600K PLASTIC CASE LABEL		2				
A06C	800X49-2	JV0600J PLASTIC CASE LABEL		2	*			
A06D	800X49-2	JV0600J PLASTIC CASE LABEL		2	*			
A06-1C	810C37-5	JV0600J PLASTIC CASE LABEL	X	2				
A06-1D	810C37-5	JV0600J PLASTIC CASE LABEL	X	2				
E01A	655030-2	PLUG UK TYPE 16A-4H/110V		1				
E01C	655030-2	PLUG UK TYPE 16A-4H/110V		1				
E02A	654091-9	NON-INSULATED TERMINAL1.25-2AF		2		100		
E02C	654091-9	NON-INSULATED TERMINAL1.25-2AF		2		100		